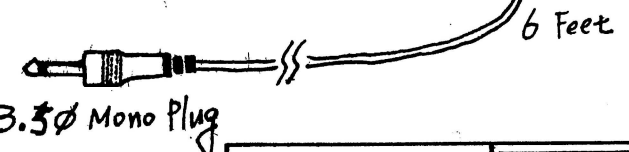
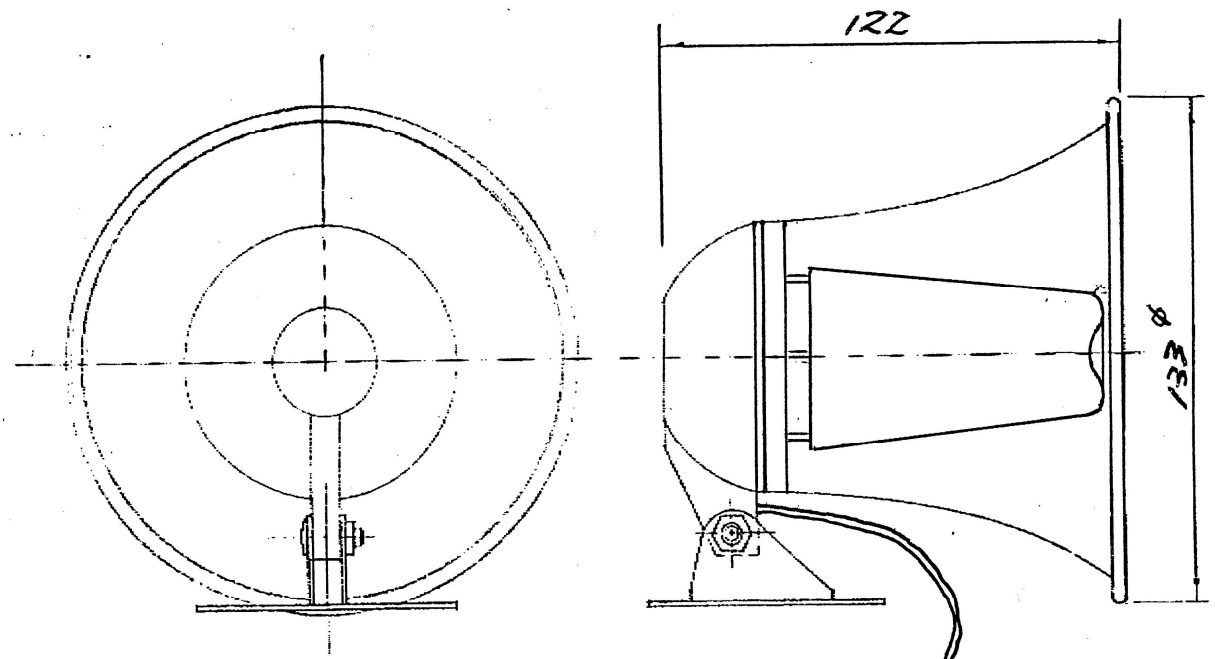


REVISIONS HISTORY			
LTR	DESCRIPTION	DATE	APPROVED



- * NOMINAL INPUT POWER: 8W
- * POWER HANDLING CAPACITY: 10W
- * VOICE COIL IMPEDANCE: 8 Ω \pm 15 %
- * RESONANT FREQUENCY: 450 - 6500 Hz
- * MEAN SOUND PRESSURE LEVEL: 98 dB UP
- * MAGNET SIZE: 60x32x10
- * FLUX DENSITY: 10000 GAUSS
- * NET WEIGHT: 450 GM

UNLESS OTHERWISE SPECIFIED DIMENSIONS ARE IN MILLIMETERS	YUBRIGHT CO. LTD. SKYLINE CO., LTD.	
	DRAWN: CP	TITLE: 5/4" Horn Speaker Golden, with Plug/cable
	CHECK: 李程輝 海音錄	PART NO.: MS-10/W
	APPROVED: 李程輝	FILE NAME: TH
TOLERANCES:	RELEASED DATE: FEB. 08 1998	
SCALE:		