

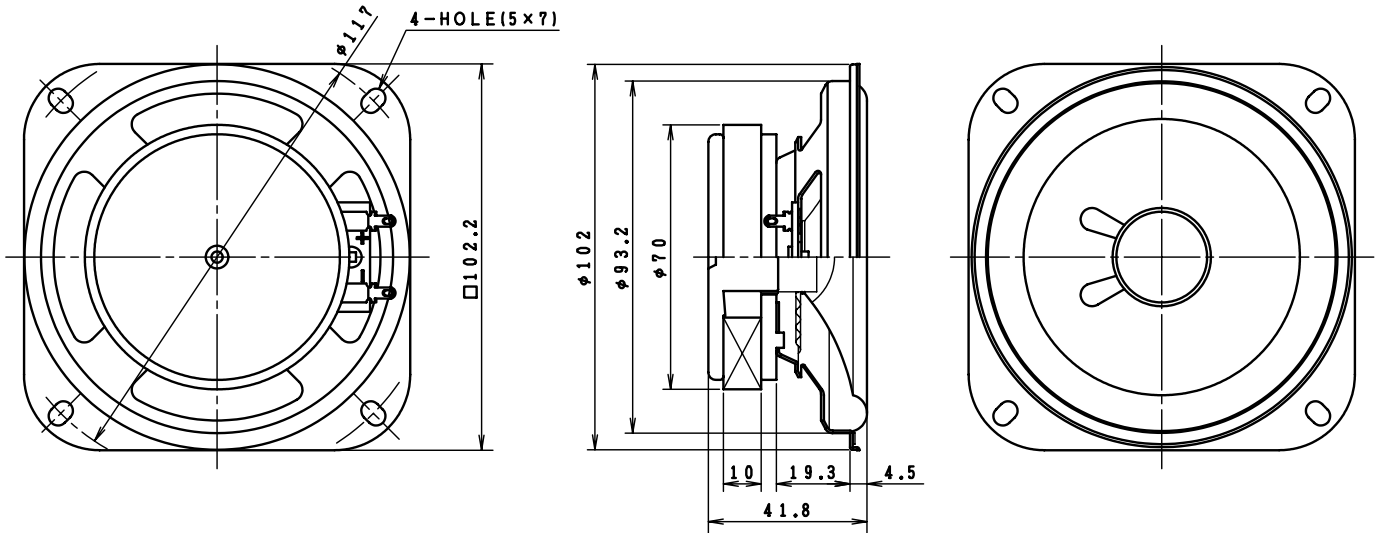
100mm スピーカ
4inch Speaker

Model No.
F100G112-6

26 June 2003

ゼネラル タイプ
PPコーン
エスマーエッジ

General Type
PP Cone
Esmar Edge



Specifications

Nominal Impedance ----- 8
Nominal Power ----- 8W
Maximum Power ----- 12W
Resonance Frequency ----- 95 Hz
Effective Frequency Range ----- Fo ~ 12,000 Hz
Sound Pressure Level ----- 91 dB W/m
Magnet Size ----- 70 x 32 x t 10 mm
Magnet Weight ----- 152 g (5.36 oz.)
Net Weight ----- 420 g (14.81 oz.)

